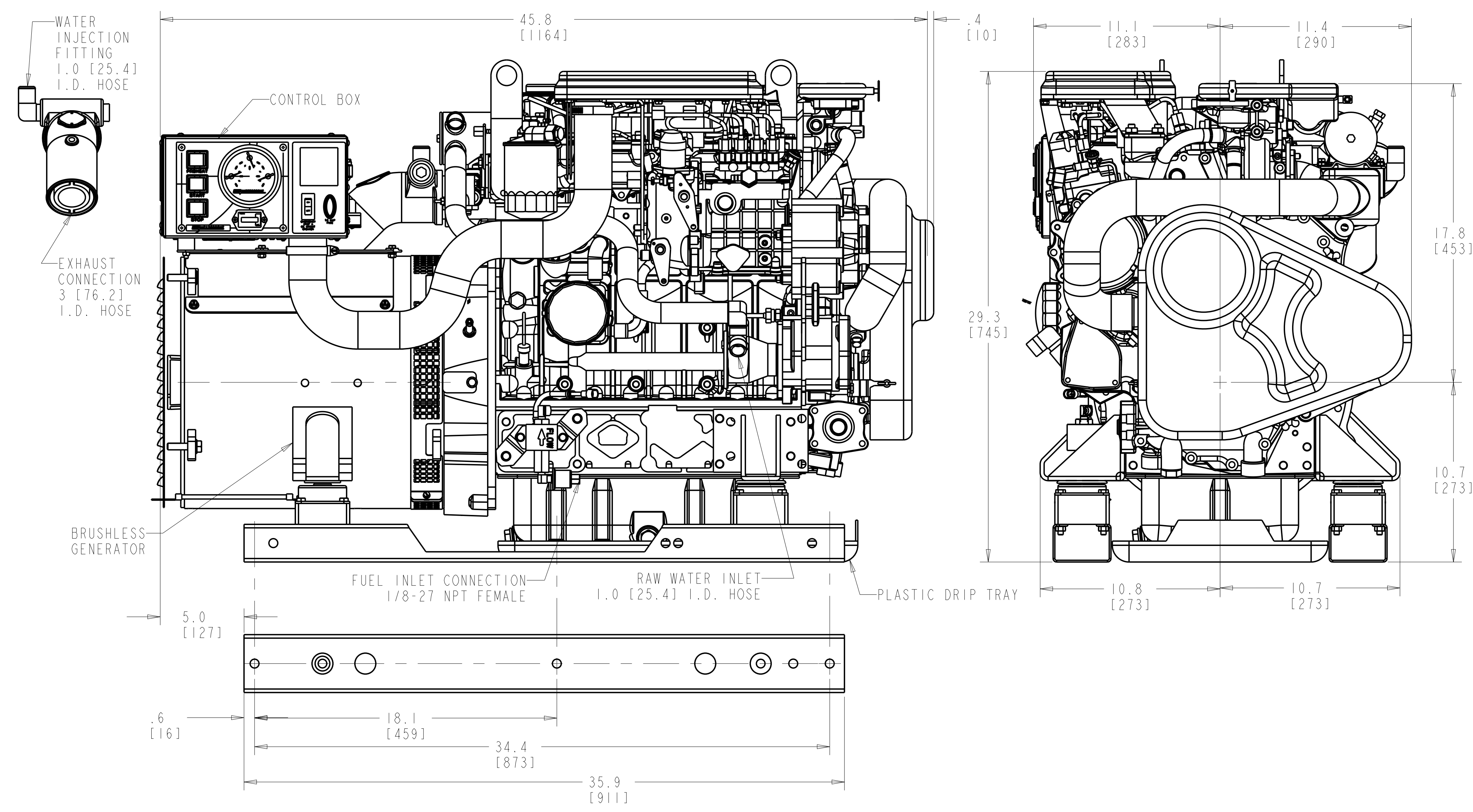


TOLERANCES (UNLESS OTHERWISE NOTED)		WESTERBEKE	
INCHES	MILLIMETERS	TITLE	
XX ± .005	XX ± .13	INSTALLATION DRAWING	
CAST ± .005	XX ± .13	29.0 EGED 60HZ / 23.0 EGED 50HZ	
FINISH ± .005		DRAWN BY	DATE
		APPROVED BY	DATE
DIMENSIONS		SCALE	SIZE
INCHES		0.250	E
(WHEN APPLICABLE)		SHT. 1 OF 2	56536



TOLERANCES (UNLESS OTHERWISE NOTED)		WESTERBEKE	
INCHES	MILLIMETERS	TITLE	
.XX ± .00	.X ± .13	SALES LITERATURE	
.XXX ± .005	.Y ± .13	29.0 EGED 60HZ / 23.0 EGED 50HZ	
CAST ± .03	.XX ± .13	DRAWN BY	DATE
FINISH ± .2		JAS	14/Dec/17
DIMENSIONS		APPROVED BY	DATE
INCHES	SCALE 0.250	SIZE	DRAWING NUMBER
(WHEN APPLICABLE)	SHT. 2 OF 2	E	56536